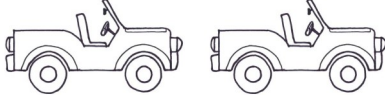

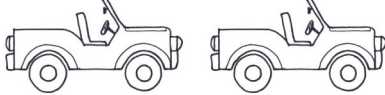



### More - Cars

Circle the set in each row that has more objects than the other set. Color.

		
	<p><b>FREE PREVIEW</b> Please Login or Become a Member to download the printable version of this worksheet.</p>	
		

	
---	--